

hydroo®

VKDROO SERIES

VKF

VKX

VKN

Immersion type
multistage
centrifugal pump
50Hz





PRESENTATION

HYDROO has set up a worldwide distribution network together with key partners, providing value to our pump engineers and end users. Ours is a wide range product portfolio with high-end solutions for the pumping business in many applications including water supply, booster sets, fire-fighting sets, borehole wells, HVAC, drainage and sewage, utilities, irrigation, desalination and RO sets, OEM Integration among many others. We provide solutions for all the markets of 50 Hz and 60 Hz, including customized versions.

HYDROO has a factory in Palol de Revardit (Catalonia-Spain) sized to guarantee our reliable, long-term based, personalized treatment and best service to all our customers. We can provide a wide range of products in an extremely short delivery time from our factory, thanks to our Lean manufacturing processes and our qualified enthusiastic team.

We have compiled our commitment with ethics and legislation in relation to third parties in a public document of principles. The document has been worked with the entire Hydroo team and its deployment has been started with a committee that will ensure compliance and strengthening in the business culture of the company.

The expansion of HYDROO by means of excellence in operations and successful business relationship with our partners is symbolized in the growth pace in the target markets and the valuable timely and effective service.

At HYDROO we bet on a high level service to our valued pump partners.

VKF/VKX/ VKN

Immersion type
multistage
centrifugal pump

Applications

Machine tools cooling systems
Industrial washing systems
Chiller units
Industrial filtration systems
Other industrial applications



Description

Non self-priming immersion multistage centrifugal pumps made in Stainless Steel. Standard totally enclosed, fan cooled, insulation class F, IP 55 motors. Single phase motors up to 2,2 kW.

Flexible installation length to meet the requirements of installation depth of the water tank or vessel, by means of cavity bodies.

Standard version can be used for conveying water, cooling water solutions and cutting lubricating liquids. Versions for hot water up to 120°C are also available on request.

Performance range

Capacity: Q up to 55 m³/h

Head: H up to 305 m

Temperature: T up to 120 °C

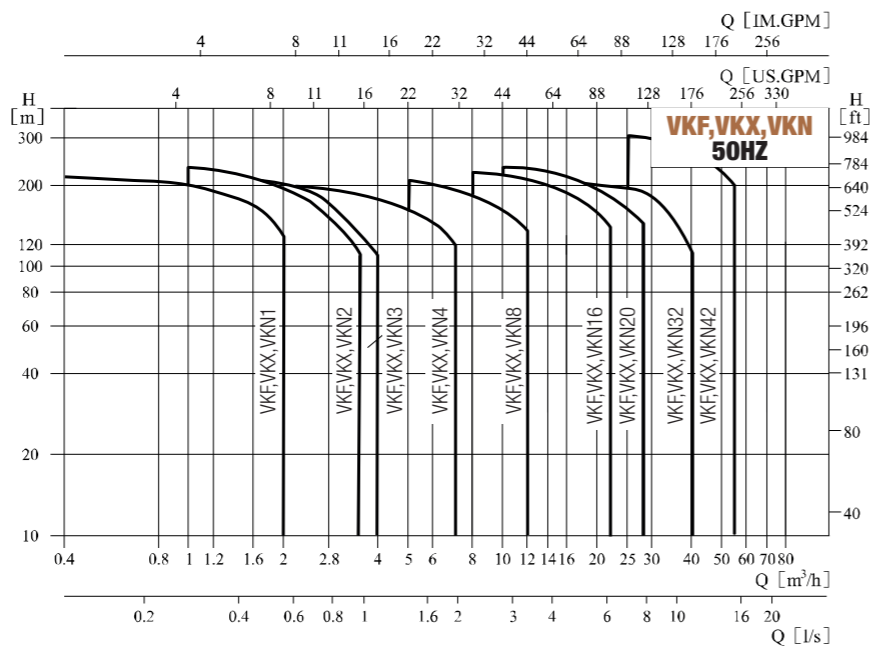
Speed: n 2900/3500 rpm

Power: P up to 45 kW

Standard material

Cast iron, stainless steel 304 or Stainless steel 316 on request.

Performance scope



Pump

VKF, VKX, VKN is non-self priming multi-stage centrifugal pump installed with standard motor. The motor shaft is directly connected with the pump shaft through coupling. According to the requirement, the pump can be equipped with intelligent protector, which effectively protects pump from dry rotation, phase lack, overload etc. In order to meet the requirement of installation depth of the water tank or vessel, it is possible to install cavity body for changing length of the pump. Length for different number of stages is shown in the dimensions & weight table and the table of products supply scope.

Motor

The motor is fully-sealed, air-cooling standard motor 2 poles.

Protection class: 1P55

Insulation class: F

Standard voltage: 1X220-230/240V
3X220-240/380-415V
3X400-690V

– Motors for other voltages can be supplied according to the requirement.

– Single phase motors with 0.37-2.2kW are available.

Application

VKF, VKX, VKN is used for conveying cooling liquid, lubricating liquid and condensation water of machine tools, industrial cleaning equipment or other cases that application of immersed pump is suitable, and is applicable to various temperature, flow and pressure ranges. VKX & VKN are applicable to low-corrosive liquid.

Concretely, it is applicable to electric spark, lathe, grinding machine, processing center, cooling devices, industrial cleaning equipment, filtering system etc.

Operation conditions

Thin, clean non-explosive liquid without solid grains and fibers; can be used for conveying of water, cooling water solution and cutting lubricating liquid.

Liquid temperature:

Normal temperature type: -15°C~+70°C

Warm water type: -15°C~+120°C

Performance curve

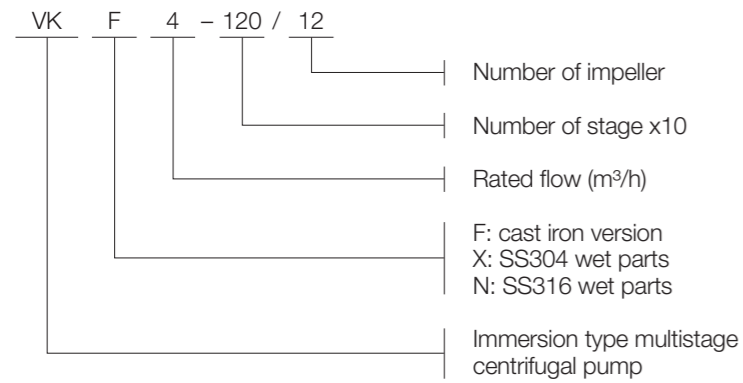
1. All curves are based on measured values of 50Hz: constant motor speed 2900r/min.
2. The allowable tolerance of the curve complies with 1509906 Annex A.
3. For measurement, air-free water with temperature 20°C and kinematical viscosity 1 mm²/s.
4. The pump application is in reference to performance scope of Heavy line to prevent overheating due to too low flow and motor overload due to too high flow rate etc.

Product range

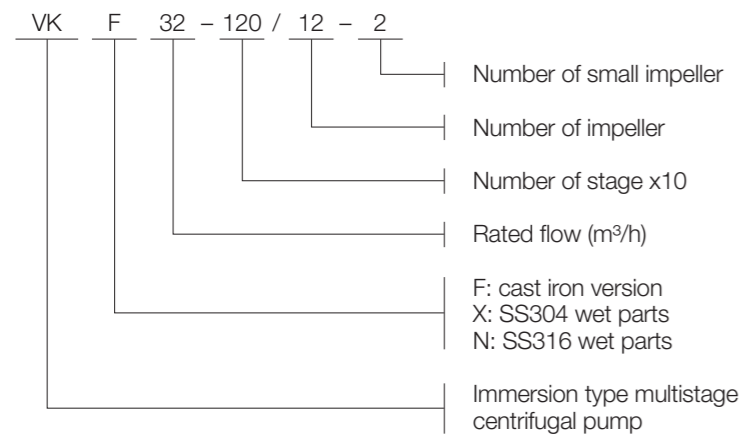
Description	VK-1	-2	-3	-4	-8	-16	-20	-32	-42
Rated flow [m ³ /h]	1	2	3	4	8	16	20	32	42
Rated flow [l/s]	0.28	0.56	0.83	1.1	2.2	4.4	5.6	8.9	11.7
Flow range [m ³ /h]	0.4~2	1~3.5	1.2~4	1.5~7	5~12	8~22	10~28	16~40	25~55
Flow range [l/s]	0.11~0.56	0.28~0.97	0.33~1.1	0.42~1.9	1.4~3.3	2.2~6.1	2.8~7.8	4.4~11.1	6.9~15.3
Max. pressure. [bar]	21	23	22	21	21	22	23	26	30
Motor power [kW]	0.37~2.2	0.37~3	0.37~3	0.37~4	0.75~7.5	2.2~15	2.2~18.5	1.5~30	3~45
Temp. [°C]	-15 ~ +120								
Max. efficiency [%]	44	46	54	57	62	66	69	73	75

Definition of model

VKF, VKX, VKN 1,2,3,4,8,16,20

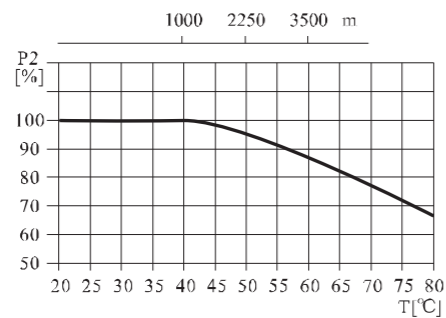


VKF, VKX, VKN 32,42



Max. Ambient temperature

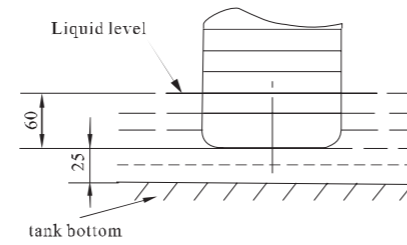
When the pump operates under ambient temperature higher than 40°C or at altitudes higher than 1000m, because of low air density and poor cooling effects, the motor output power P2 will be decreased to certain extent. If the pump is operated under the above-said conditions, it should be equipped with motor of higher power.



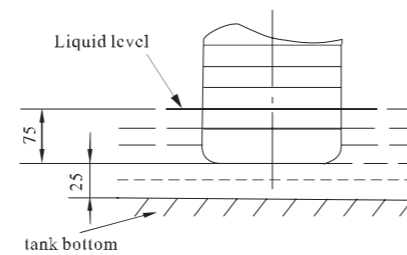
Installation of pump

The dimensions shown in the below drawing are the minimum installation ones:

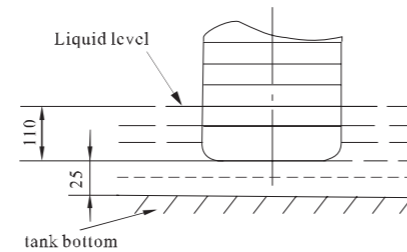
VKF, VKX, VKN 1,2,3,4



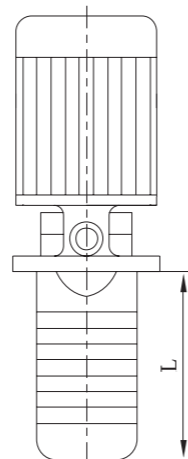
VKF, VKX, VKN 8,16,20



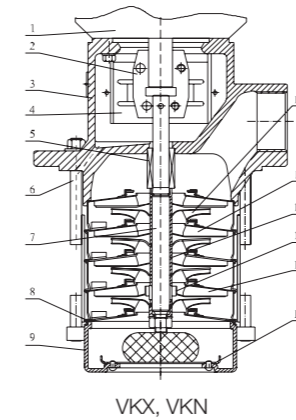
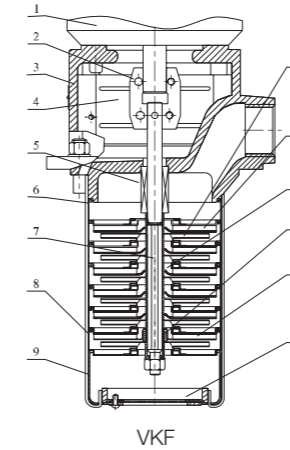
VKF, VKX, VKN 32,42



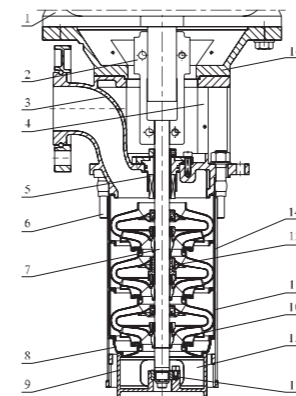
Installation sketch



Sectional drawing VKF, VKX, VKN 1,2,3,4,8,16,20



Sectional drawing VKF, VKX, VKN 32,42



Material VKF, VKX, VKN 1,2,3,4,8,16,20

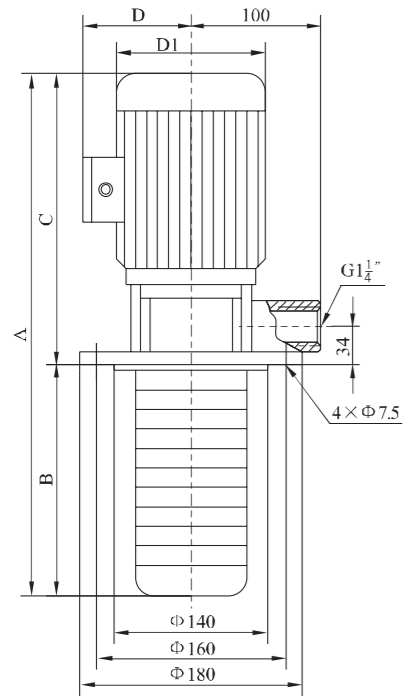
N°	Name	Material	AISI / ASTM
1	Motor		
2	Coupling	Carbon steel	
4	Coupling guard	Stainless steel	AISI304/ AISI316
5	Mechanical seal		
6	Straps	Stainless steel	AISI304/ AISI316
7	Shaft	Stainless steel	AISI316
8	Inducer	Stainless steel	AISI304/ AISI316
9	Suction head	Stainless steel	AISI304/ AISI316
10	Impeller	Stainless steel	AISI304/ AISI316
11	Diffuser	Stainless steel	AISI304/ AISI316
12	Impeller sleeve	Stainless steel	AISI304/ AISI316
13	Bearing	Tungsten carbide	
14	Support diffuser	Stainless steel	AISI304/ AISI316
15	Strainer	Stainless steel	AISI304/ AISI316
VKF			
3	Pump head	Cast iron	ASTM25B
VKX, VKN			
3	Pump head	Stainless steel	AISI304/ AISI316

Material VKF, VKX, VKN 32,42

N°	Name	Material	AISI / ASTM
1	Motor		
2	Coupling	Carbon steel	
4	Coupling guard	Stainless steel	AISI304/ AISI316
5	Mechanical seal		
6	Straps	Stainless steel	AISI304/ AISI316
7	Shaft	Stainless steel	AISI316 AISI304 AISI431
8	Inducer	Stainless steel	AISI304/ AISI316
9	Suction head	Stainless steel	AISI304/ AISI316
10	Impeller	Stainless steel	AISI304/ AISI316
11	Diffuser	Stainless steel	AISI304/ AISI316
13	Bearing	Tungsten carbide	
14	Support diffuser	Stainless steel	AISI304/ AISI316
15	Strainer	Stainless steel	AISI304/ AISI316
16	Crossover flange	Cast iron	ASTM25B
17	Bottom bearing	Tungsten carbide	
VKF			
3	Pump head	Cast iron	ASTM25B
VKX, VKN			
3	Pump head	Stainless steel	AISI304/ AISI316

VKF, VKX, VKN 1

Installation sketch



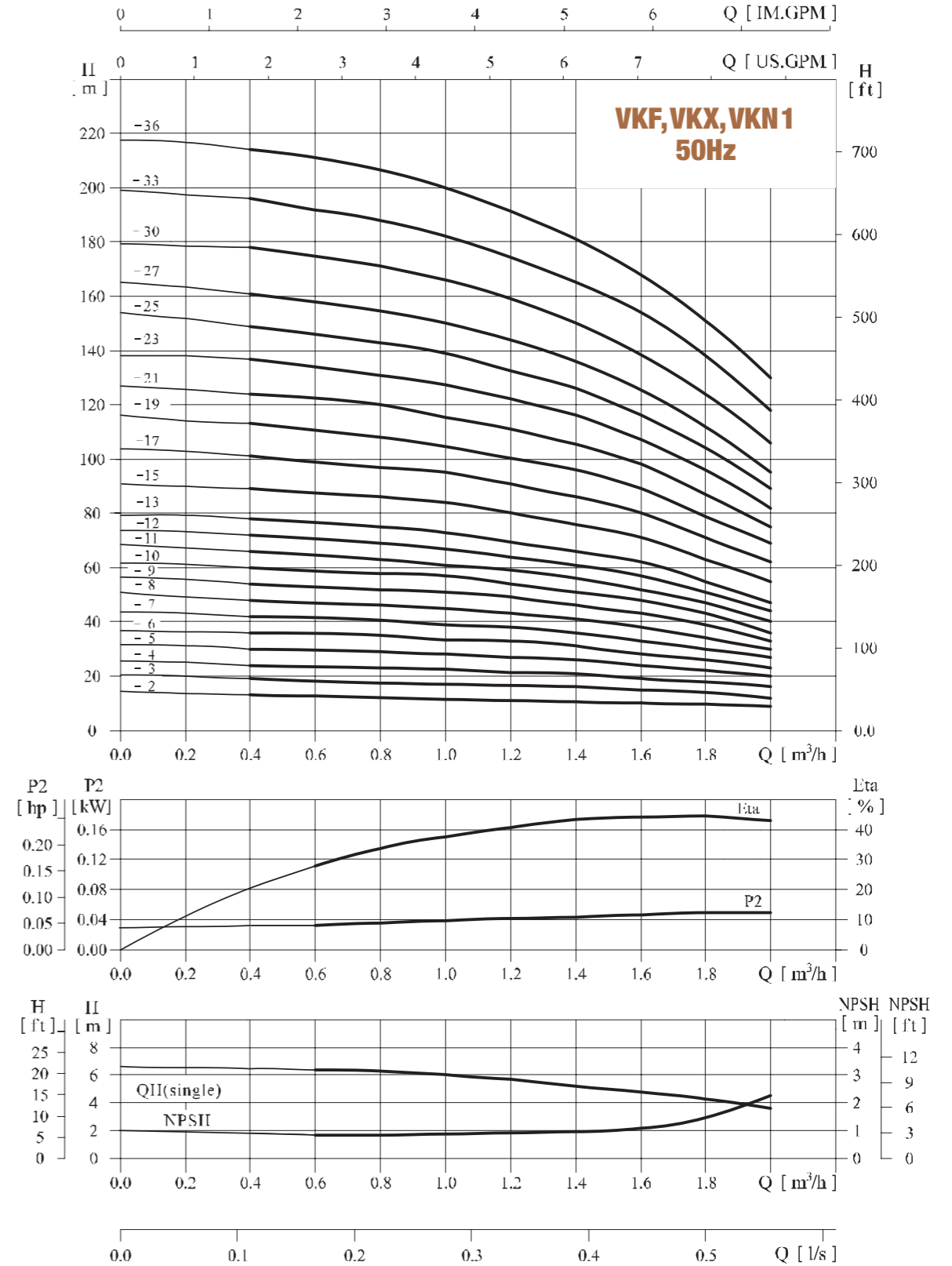
Size and weight

Model	Pump and motor dimensions					Weight (kg)
	A	B	C	D	D1	
VKF, VKX, VKN-1-20/2	453	123	330	117	148	15
VKF, VKX, VKN-1-30/3	471	141	330	117	148	15
VKF, VKX, VKN-1-40/4	489	159	330	117	148	15
VKF, VKX, VKN-1-50/5	507	177	330	117	148	16
VKF, VKX, VKN-1-60/6	525	195	330	117	148	16
VKF, VKX, VKN-1-70/7	543	213	330	117	148	16
VKF, VKX, VKN-1-80/8	561	231	330	117	148	17
VKF, VKX, VKN-1-90/9	579	249	330	117	148	17
VKF, VKX, VKN-1-100/10	597	267	330	117	148	17
VKF, VKX, VKN-1-110/11	615	285	330	117	148	17
VKF, VKX, VKN-1-120/12	661	303	358	142	170	20
VKF, VKX, VKN-1-130/13	679	321	358	142	170	20
VKF, VKX, VKN-1-150/15	715	357	358	142	170	20
VKF, VKX, VKN-1-170/17	751	393	358	142	170	22
VKF, VKX, VKN-1-190/19	787	429	358	142	170	22
VKF, VKX, VKN-1-210/21	823	465	358	142	170	23
VKF, VKX, VKN-1-230/23	859	501	358	142	170	23
VKF, VKX, VKN-1-250/25	950	537	443	155	190	30
VKF, VKX, VKN-1-270/27	986	573	413	155	190	30
VKF, VKX, VKN-1-300/30	1040	627	413	155	190	31
VKF, VKX, VKN-1-330/33	1094	681	413	155	190	34
VKF, VKX, VKN-1-360/36	1148	735	413	155	190	35

Performance table

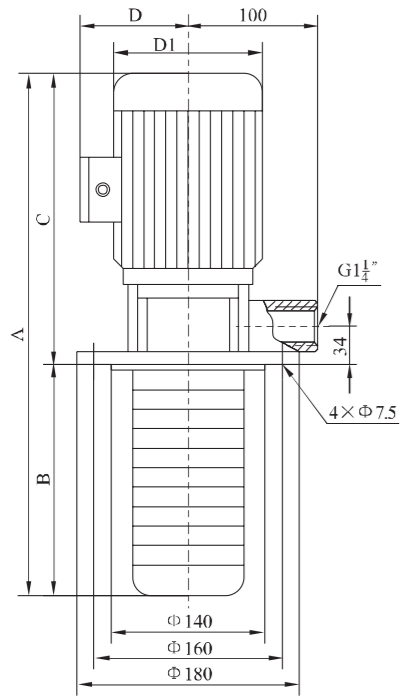
Model	Motor		Q [m³/h]	H [m]											
	(kW)	(hp)		0.4	0.6	0.8	1.0	1.2	1.4	1.6	1.8	2.0			
VKF, VKX, VKN-1-20/2	0.37	0.5	13	12.5	12	11.5	11	10.5	10	9.5	9				
VKF, VKX, VKN-1-30/3	0.37	0.5	19	18	17.5	17	16.5	16	15	14	12				
VKF, VKX, VKN-1-40/4	0.37	0.5	24	23.5	23	22.5	21.5	21	19	18	16				
VKF, VKX, VKN-1-50/5	0.37	0.5	30	39.6	29	28	27	26	24	22	20				
VKF, VKX, VKN-1-60/6	0.37	0.5	36	35.5	35	33.5	33	31	28	26	23				
VKF, VKX, VKN-1-70/7	0.37	0.5	42	41	40.5	39	38	36	33	30	27				
VKF, VKX, VKN-1-80/8	0.55	0.75	48	47	46	45	43	41	38	34	30				
VKF, VKX, VKN-1-90/9	0.55	0.75	54	53	52	51	49	46	43	39	33				
VKF, VKX, VKN-1-100/10	0.55	0.75	60	59	58	57	54	51	48	43	36				
VKF, VKX, VKN-1-110/11	0.55	0.75	66	65	63	61	59	56	52	47	40				
VKF, VKX, VKN-1-120/12	0.75	1	72	71	69	67	64	61	57	51	44				
VKF, VKX, VKN-1-130/13	0.75	1	78	77	75	73	69	66	62	55	47				
VKF, VKX, VKN-1-150/15	0.75	1	89	88	86	84	79	76	71	63	55				
VKF, VKX, VKN-1-170/17	1.1	1.5	101	99	97	95	89	86	80	71	62				
VKF, VKX, VKN-1-190/19	1.1	1.5	113	110	108	106	99	96	89	79	69				
VKF, VKX, VKN-1-210/21	1.1	1.5	124	122	120	117	110	106	98	87	75				
VKF, VKX, VKN-1-230/23	1.1	1.5	137	133	131	128	121	116	107	96	82				
VKF, VKX, VKN-1-250/25	1.5	2	149	145	143	139	131	126	116	104	89				
VKF, VKX, VKN-1-270/27	1.5	2	161	157	155	150	141	136	125	112	95				
VKF, VKX, VKN-1-300/30	1.5	2	178	175	171	166	157	150	139	124	106				
VKF, VKX, VKN-1-330/33	2.2	3	196	192	188	183	173	165	154	137	118				
VKF, VKX, VKN-1-360/36	2.2	3	214	210	205	200	190	181	169	151	130				

Performance curve ISO9906:2012 Grade 3B



VKF, VKX, VKN2

Installation sketch



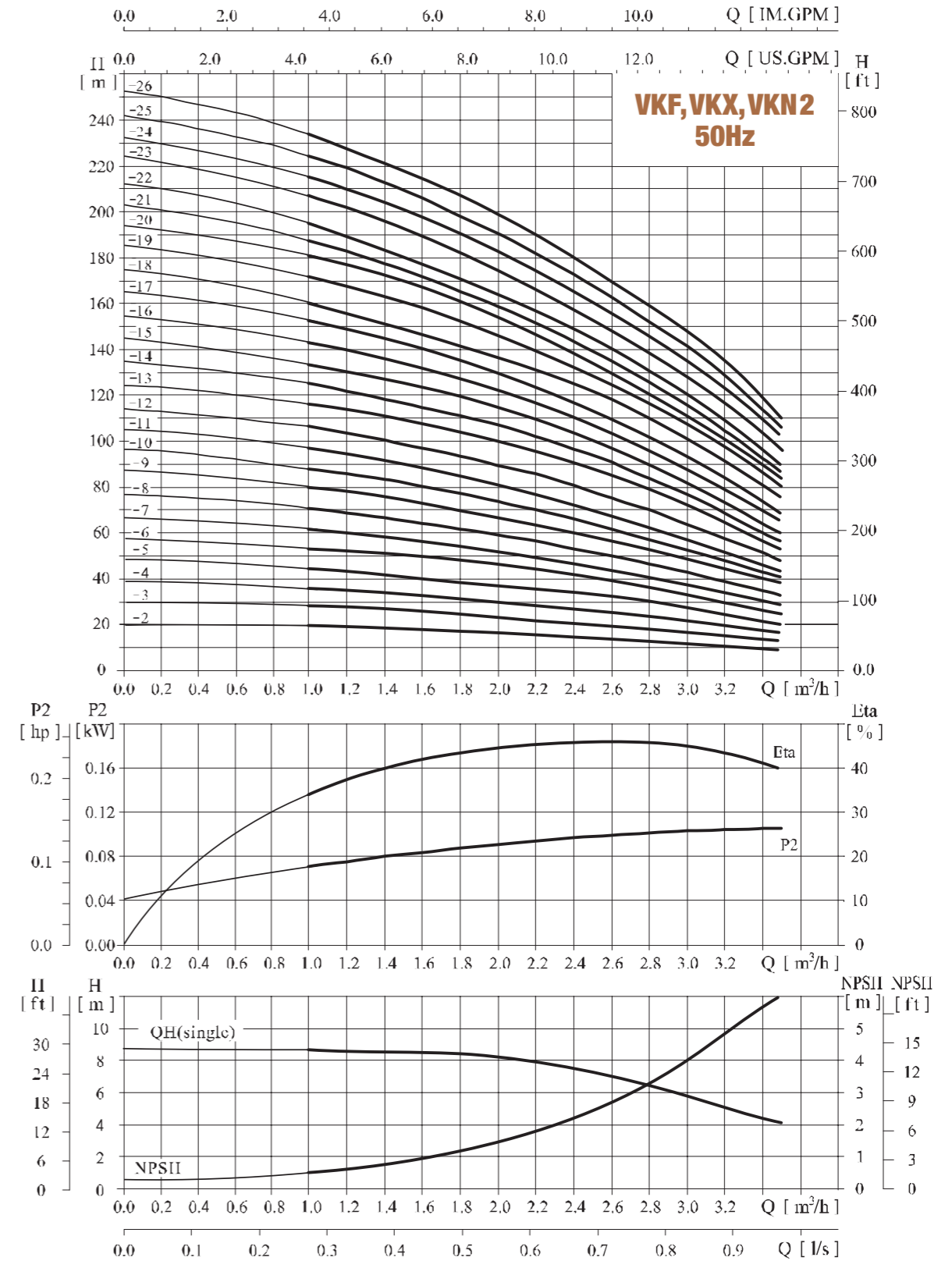
Size and weight

Model	Pump and motor dimensions					Weight (kg)
	A	B	C	D	D1	
VKF, VKX, VKN-2-20/2	453	123	330	117	148	15
VKF, VKX, VKN-2-30/3	471	141	330	117	148	15
VKF, VKX, VKN-2-40/4	489	159	330	117	148	17
VKF, VKX, VKN-2-50/5	507	177	330	117	148	17
VKF, VKX, VKN-2-60/6	553	195	358	142	170	20
VKF, VKX, VKN-2-70/7	571	213	358	142	170	20
VKF, VKX, VKN-2-90/9	607	249	358	142	170	22
VKF, VKX, VKN-2-110/11	643	285	358	142	170	22
VKF, VKX, VKN-2-130/13	734	321	413	155	190	29
VKF, VKX, VKN-2-150/15	770	357	413	155	190	29
VKF, VKX, VKN-2-180/18	824	411	413	155	190	33
VKF, VKX, VKN-2-220/22	896	483	413	155	190	33
VKF, VKX, VKN-2-260/26	1003	555	478	165	197	41

Performance table

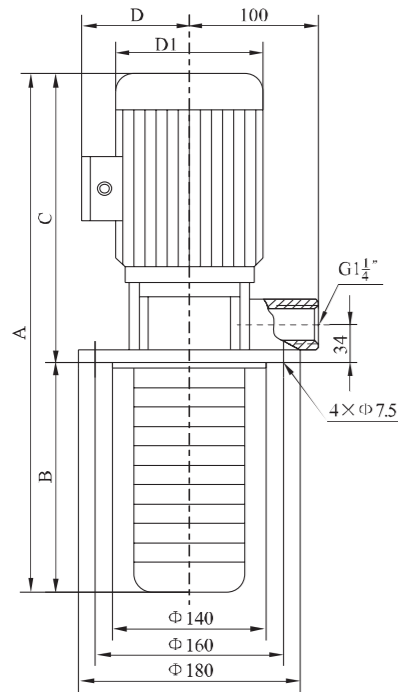
Model	Motor		Q (m³/h)	H (m)							
	(kW)	(hp)		1.0	1.2	1.6	2.0	2.4	2.8	3.2	3.5
VKF, VKX, VKN-2-20/2	0.37	0.5	18	17	16	15	13	12	10	8	
VKF, VKX, VKN-2-30/3	0.37	0.5	27	26	24	22	20	18	15	12	
VKF, VKX, VKN-2-40/4	0.55	0.75	36	35	33	30	26	24	20	16	
VKF, VKX, VKN-2-50/5	0.55	0.75	45	43	40	37	33	30	24	20	
VKF, VKX, VKN-2-60/6	0.75	1	53	52	50	45	40	36	30	24	
VKF, VKX, VKN-2-70/7	0.75	1	63	61	57	52	47	41	35	28	
VKF, VKX, VKN-2-90/9	1.1	1.5	80	78	73	67	61	54	45	37	
VKF, VKX, VKN-2-110/11	1.1	1.5	98	95	89	82	73	64	54	44	
VKF, VKX, VKN-2-130/13	1.5	2	116	114	106	98	89	78	65	52	
VKF, VKX, VKN-2-150/15	1.5	2	134	130	123	112	100	90	73	60	
VKF, VKX, VKN-2-180/18	2.2	3	161	157	148	136	121	108	91	76	
VKF, VKX, VKN-2-220/22	2.2	3	197	192	180	165	148	130	110	90	
VKF, VKX, VKN-2-260/26	3	4	232	228	214	198	179	158	130	110	

Performance curve ISO9906:2012 Grade 3B



VKF, VKX, VKN3

Installation sketch



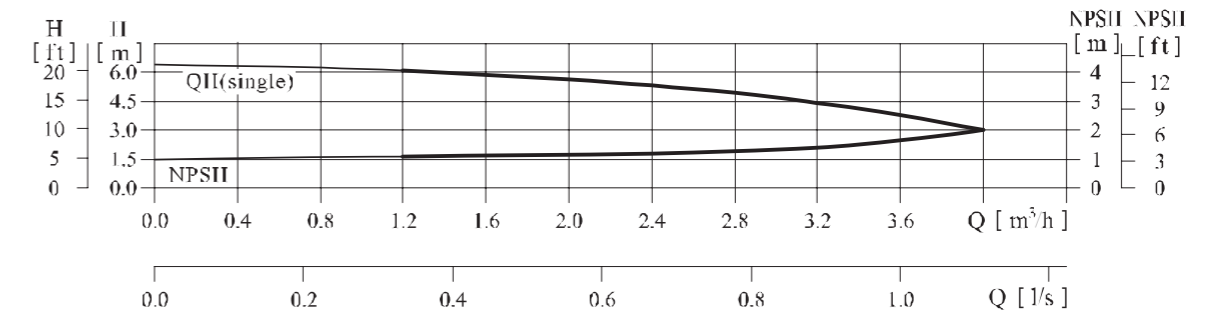
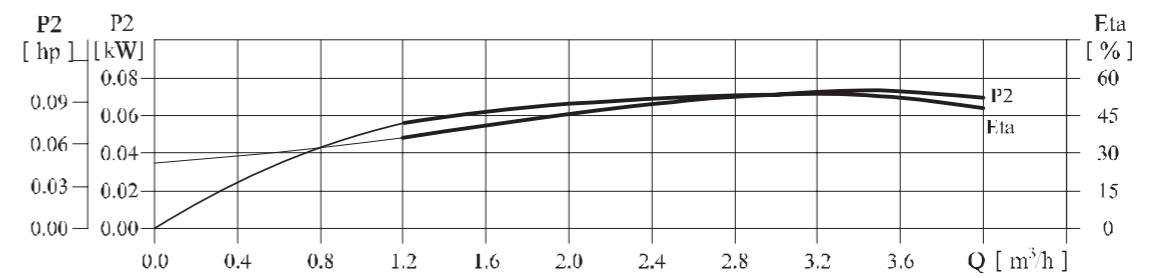
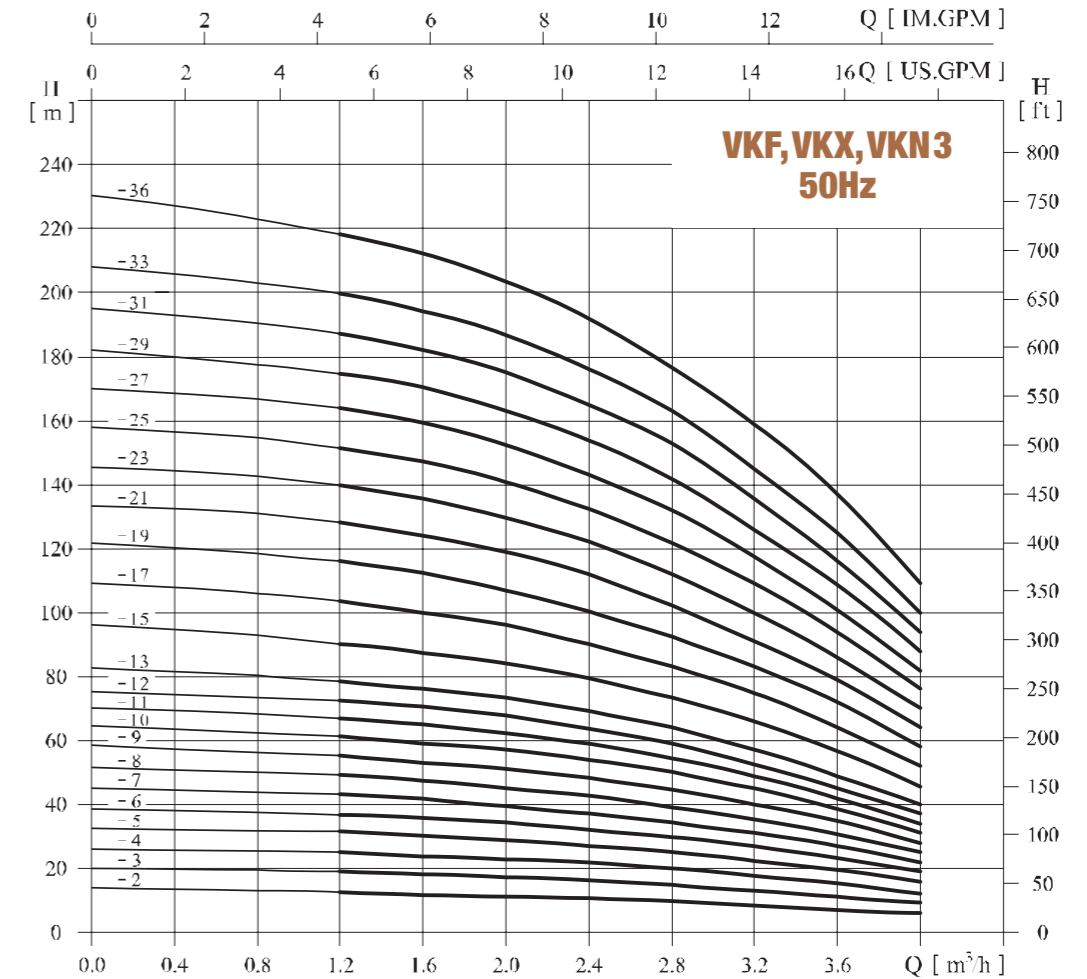
Size and weight

Model	Pump and motor dimensions					Weight (kg)
	A	B	C	D	D1	
VKF, VKX, VKN-3-20/2	453	123	330	117	148	15
VKF, VKX, VKN-3-30/3	471	141	330	117	148	15
VKF, VKX, VKN-3-40/4	489	159	330	117	148	15
VKF, VKX, VKN-3-50/5	507	177	330	117	148	16
VKF, VKX, VKN-3-60/6	525	195	330	117	148	17
VKF, VKX, VKN-3-70/7	543	213	330	117	148	17
VKF, VKX, VKN-3-80/8	589	231	358	142	170	19
VKF, VKX, VKN-3-90/9	607	249	358	142	170	20
VKF, VKX, VKN-3-100/10	625	267	358	142	170	20
VKF, VKX, VKN-3-110/11	643	285	358	142	170	21
VKF, VKX, VKN-3-120/12	661	303	358	142	170	21
VKF, VKX, VKN-3-130/13	679	321	358	142	170	22
VKF, VKX, VKN-3-150/15	715	357	358	142	170	22
VKF, VKX, VKN-3-170/17	806	393	413	155	190	28
VKF, VKX, VKN-3-190/19	842	429	413	155	190	29
VKF, VKX, VKN-3-210/21	878	465	413	155	190	32
VKF, VKX, VKN-3-230/23	914	501	413	155	190	32
VKF, VKX, VKN-3-250/25	950	537	413	155	190	33
VKF, VKX, VKN-3-270/27	986	573	413	155	190	33
VKF, VKX, VKN-3-290/29	1022	609	413	155	190	33
VKF, VKX, VKN-3-300/30	1123	645	478	165	197	40
VKF, VKX, VKN-3-330/33	1159	681	478	165	197	41
VKF, VKX, VKN-3-360/36	1213	735	478	165	197	41

Performance table

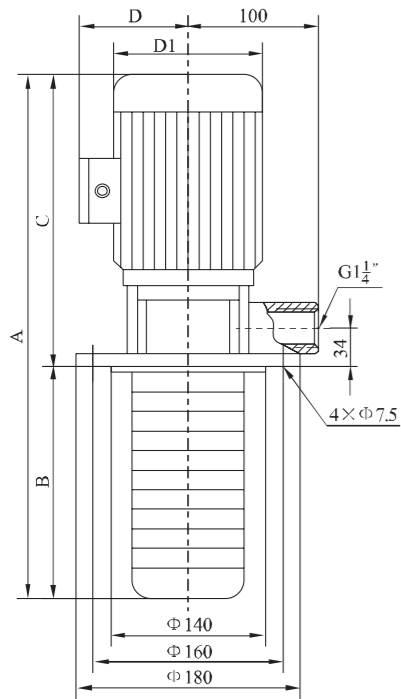
Model	Motor		Q (m³/h)	H (m)										
	(kW)	(hp)		1.2	1.6	2.0	2.4	2.8	3.0	3.2	3.6	4.0		
VKF, VKX, VKN-3-20/2	0.37	0.5	12.5	11.5	11	10.5	10	9	8	7	6			
VKF, VKX, VKN-3-30/3	0.37	0.5	19	18.5	17.5	16.5	15	14	13	11	9			
VKF, VKX, VKN-3-40/4	0.37	0.5	25	24	23	21.5	20	19	18	15	12			
VKF, VKX, VKN-3-50/5	0.37	0.5	31	30	29	27	25	23	22	19	16			
VKF, VKX, VKN-3-60/6	0.55	0.75	36	35	34	32	30	28	27	23	19			
VKF, VKX, VKN-3-70/7	0.55	0.75	43	41	39	37	34	32	31	27	22			
VKF, VKX, VKN-3-80/8	0.75	1	49	47	45	43	39	37	35	31	25			
VKF, VKX, VKN-3-90/9	0.75	1	55	53	51	48	45	42	40	35	28			
VKF, VKX, VKN-3-100/10	0.75	1	61	59	57	54	50	47	45	39	31			
VKF, VKX, VKN-3-110/11	1.1	1.5	67	64	61	58	54	51	49	42	34			
VKF, VKX, VKN-3-120/12	1.1	1.5	73	70	67	63	58	55	52	45	37			
VKF, VKX, VKN-3-130/13	1.1	1.5	78	76	73	69	64	60	57	49	40			
VKF, VKX, VKN-3-150/15	1.1	1.5	90	88	84	79	73	69	66	57	46			
VKF, VKX, VKN-3-170/17	1.5	2	103	100	96	90	83	79	75	64	52			
VKF, VKX, VKN-3-190/19	1.5	2	115	112	107	100	92	88	83	72	58			
VKF, VKX, VKN-3-210/21	2.2	3	128	124	119	112	102	98	91	79	64			
VKF, VKX, VKN-3-230/23	2.2	3	140	135	130	122	112	107	100	86	70			
VKF, VKX, VKN-3-250/25	2.2	3	151	147	141	131	122	116	109	94	76			
VKF, VKX, VKN-3-270/27	2.2	3	164	159	152	143	132	124	117	101	82			
VKF, VKX, VKN-3-290/29	2.2	3	175	170	163	153	142	133	126	109	88			
VKF, VKX, VKN-3-300/30	3.0	4	187	182	175	165	153	142	135	116	94			
VKF, VKX, VKN-3-330/33	3.0	4	199	194	187	176	163	151	145	125	100			
VKF, VKX, VKN-3-360/36	3.0	4	218	212	204	192	178	168	159	137	109			

Performance curve ISO9906:2012 Grade 3B



VKF, VKX, VKN4

Installation sketch



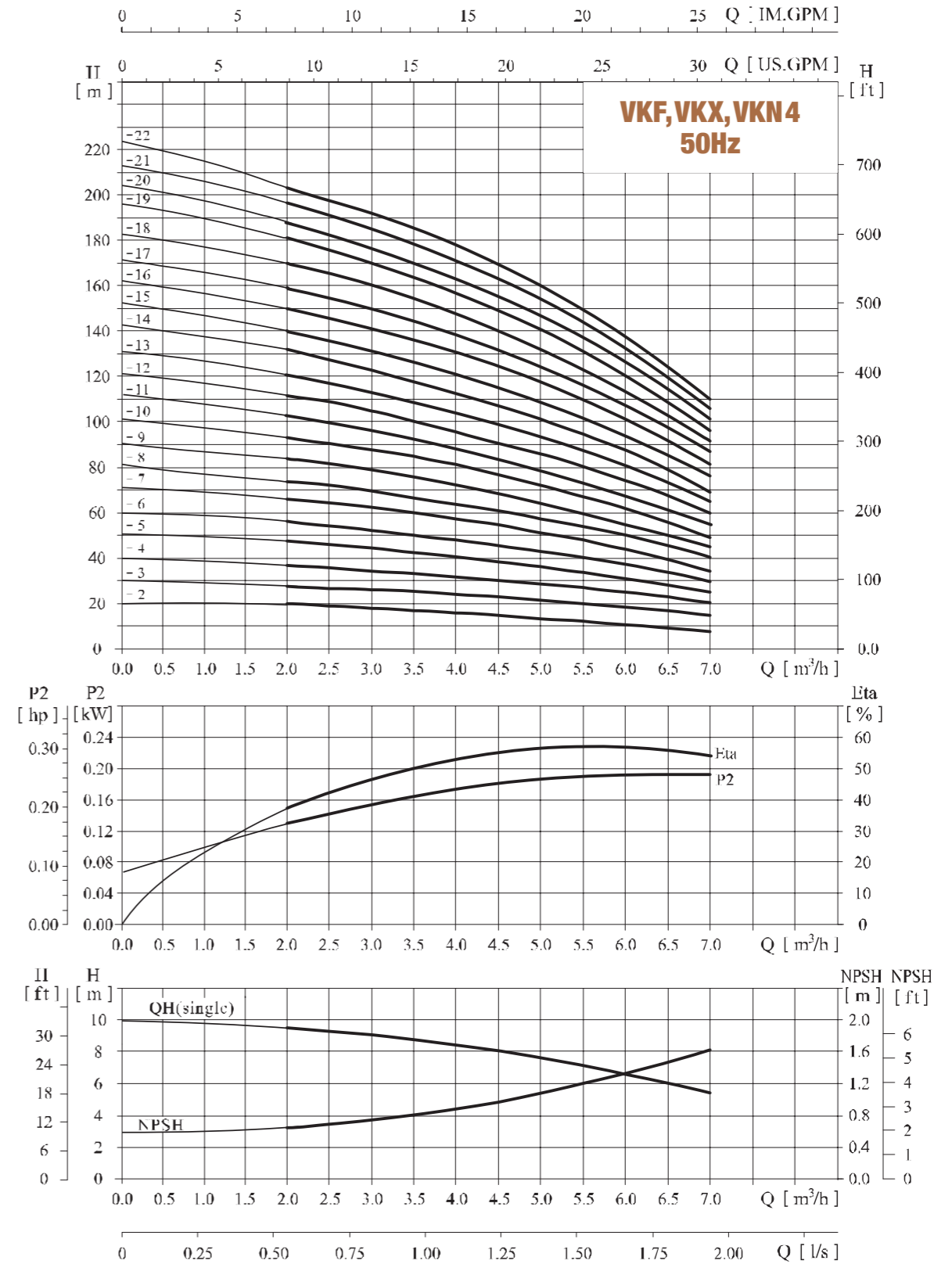
Size and weight

Model	Pump and motor dimensions					Weight (kg)
	A	B	C	D	D1	
VKF, VKX, VKN-4-20/2	478	148	330	117	148	15
VKF, VKX, VKN-4-30/3	505	175	330	117	148	15
VKF, VKX, VKN-4-40/4	560	202	358	142	170	18
VKF, VKX, VKN-4-50/5	587	229	358	142	170	20
VKF, VKX, VKN-4-60/6	614	256	358	142	170	21
VKF, VKX, VKN-4-70/7	696	283	413	155	190	27
VKF, VKX, VKN-4-80/8	723	310	413	155	190	28
VKF, VKX, VKN-4-100/10	777	364	413	155	190	30
VKF, VKX, VKN-4-120/12	831	418	413	155	190	30
VKF, VKX, VKN-4-140/14	950	472	478	165	197	35
VKF, VKX, VKN-4-160/16	1004	526	478	165	197	35
VKF, VKX, VKN-4-190/19	1095	607	488	185	230	40
VKF, VKX, VKN-4-220/22	1176	688	488	185	230	41

Performance table

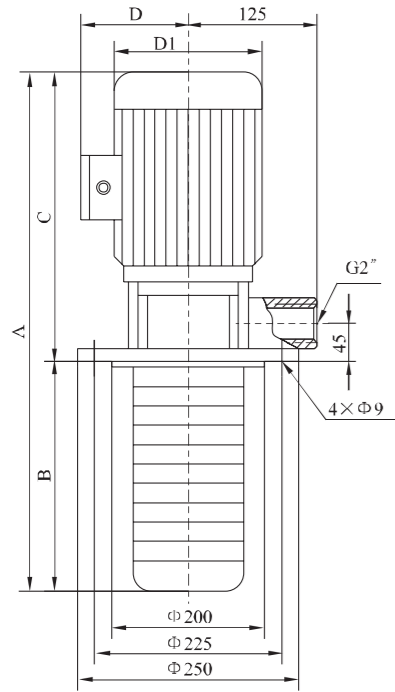
Model	Motor		Q (m³/h)	H (m)						
	(kW)	(hp)		1.5	2.0	3.0	4.0	5.0	6.0	7.0
VKF, VKX, VKN-4-20/2	0.37	0.5	19	18	17	15	13	12	8	
VKF, VKX, VKN-4-30/3	0.55	0.75	28	27	26	24	20	18	13	
VKF, VKX, VKN-4-40/4	0.75	1	38	36	34	32	27	24	19	
VKF, VKX, VKN-4-50/5	1.1	1.5	47	45	43	40	34	31	23	
VKF, VKX, VKN-4-60/6	1.1	1.5	56	54	52	48	41	37	28	
VKF, VKX, VKN-4-70/7	1.5	2	66	63	61	56	48	43	33	
VKF, VKX, VKN-4-80/8	1.5	2	74	72	70	64	55	50	38	
VKF, VKX, VKN-4-100/10	2.2	2	96	90	87	81	71	62	48	
VKF, VKX, VKN-4-120/12	2.2	3	114	108	104	95	85	75	58	
VKF, VKX, VKN-4-140/14	3	4	136	126	122	112	101	89	68	
VKF, VKX, VKN-4-160/16	3	4	152	144	140	129	115	101	78	
VKF, VKX, VKN-4-190/19	4	5.5	183	171	168	153	137	122	93	
VKF, VKX, VKN-4-220/22	4	5.5	211	200	192	178	160	138	108	

Performance curve ISO9906:2012 Grade 3B



VKF, VKX, VKN 8

Installation sketch



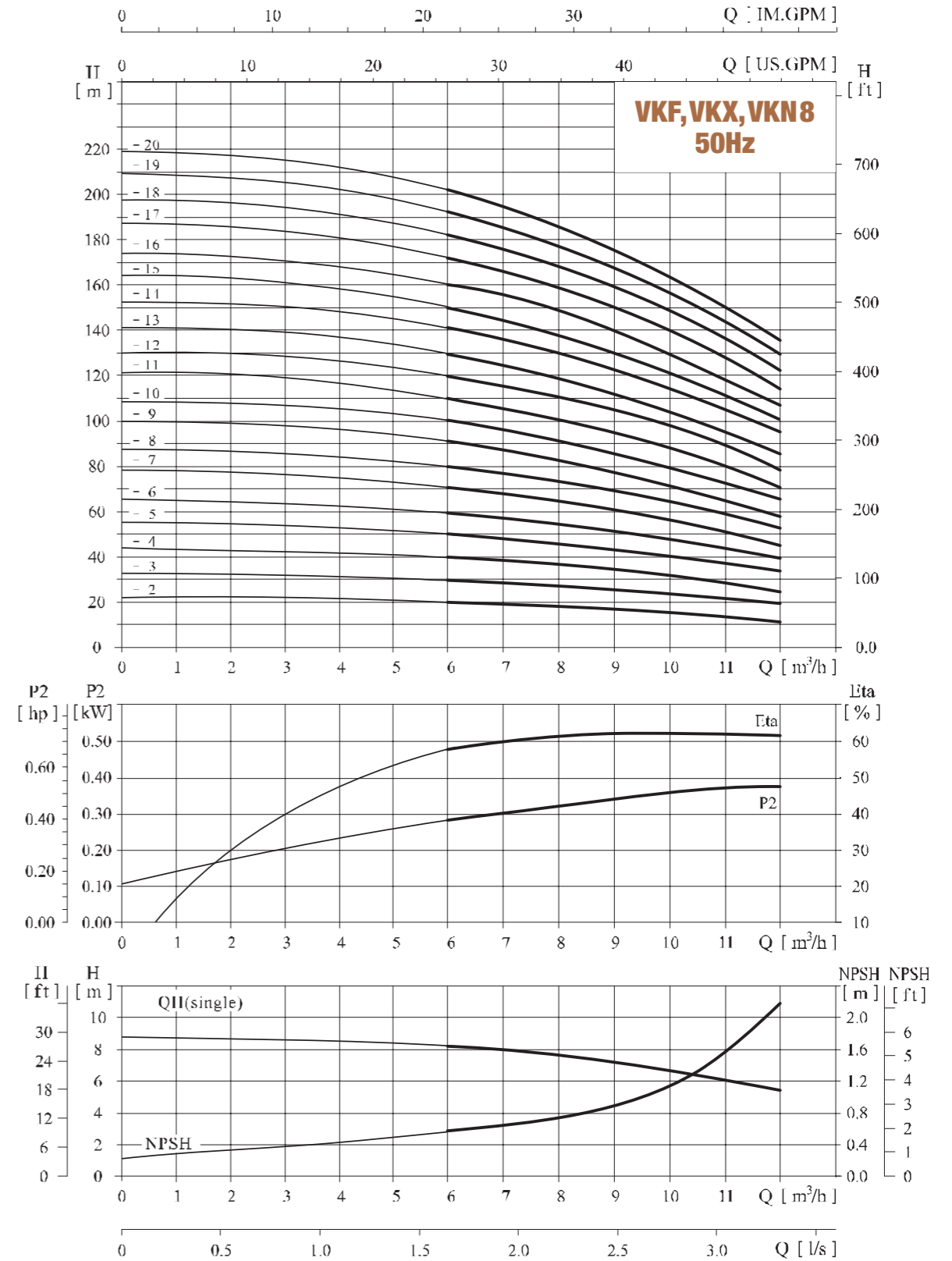
Size and weight

Model	Pump and motor dimensions					Weight (kg)
	A	B	C	D	D1	
VKF, VKX, VKN-8-20/2	516	150	366	142	170	22
VKF, VKX, VKN-8-30/3	546	180	366	142	170	27
VKF, VKX, VKN-8-40/4	629	210	419	155	190	27
VKF, VKX, VKN-8-50/5	659	240	419	155	190	36
VKF, VKX, VKN-8-60/6	689	270	419	155	190	37
VKF, VKX, VKN-8-80/8	814	330	484	165	197	42
VKF, VKX, VKN-8-100/10	884	390	494	185	230	52
VKF, VKX, VKN-8-120/12	944	450	494	185	230	53
VKF, VKX, VKN-8-140/14	1059	510	549	210	260	75
VKF, VKX, VKN-8-160/16	1119	570	549	210	260	77
VKF, VKX, VKN-8-180/18	1179	630	549	210	260	85
VKF, VKX, VKN-8-200/20	1239	690	549	210	260	87

Performance table

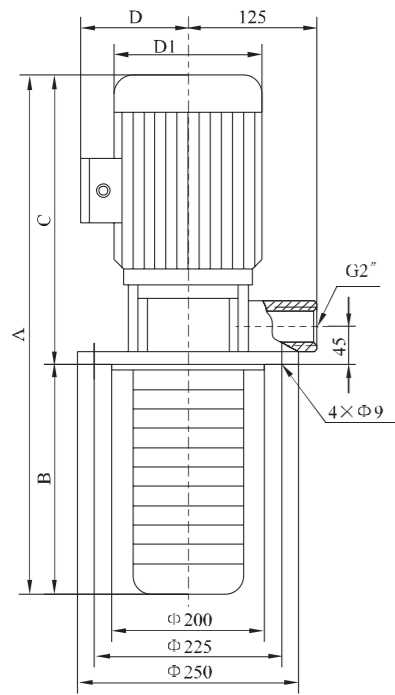
Model	Motor		Q (m³/h)	H (m)												
	(kW)	(hp)		5	6	7	8	9	10	11	12					
VKF, VKX, VKN-8-20/2	0.75	1	20	19.5	19	18	17	16	14	13						
VKF, VKX, VKN-8-30/3	1.1	1.5	30	29.5	28.5	27	25	24	21	19						
VKF, VKX, VKN-8-40/4	1.5	2	41	39.5	38	36	34	32	28	26						
VKF, VKX, VKN-8-50/5	2.2	3	52	50	48	45	42	40	36	32						
VKF, VKX, VKN-8-60/6	2.2	3	62	60	57	54	51	48	43	39						
VKF, VKX, VKN-8-80/8	3	4	83	80	77	73	69	65	58	52						
VKF, VKX, VKN-8-100/10	4	5.5	104	100	97	92	87	81	73	65						
VKF, VKX, VKN-8-120/12	4	5.5	124	120	116	111	104	92	87	78						
VKF, VKX, VKN-8-140/14	5.5	7.5	145	141	136	130	122	113	102	92						
VKF, VKX, VKN-8-160/16	5.5	7.5	166	161	156	148	139	130	118	106						
VKF, VKX, VKN-8-180/18	7.5	10	187	182	175	167	157	146	134	120						
VKF, VKX, VKN-8-200/20	7.5	10	208	202	195	186	175	163	150	135						

Performance curve ISO9906:2012 Grade 3B



VKF, VKX, VKN 16

Installation sketch



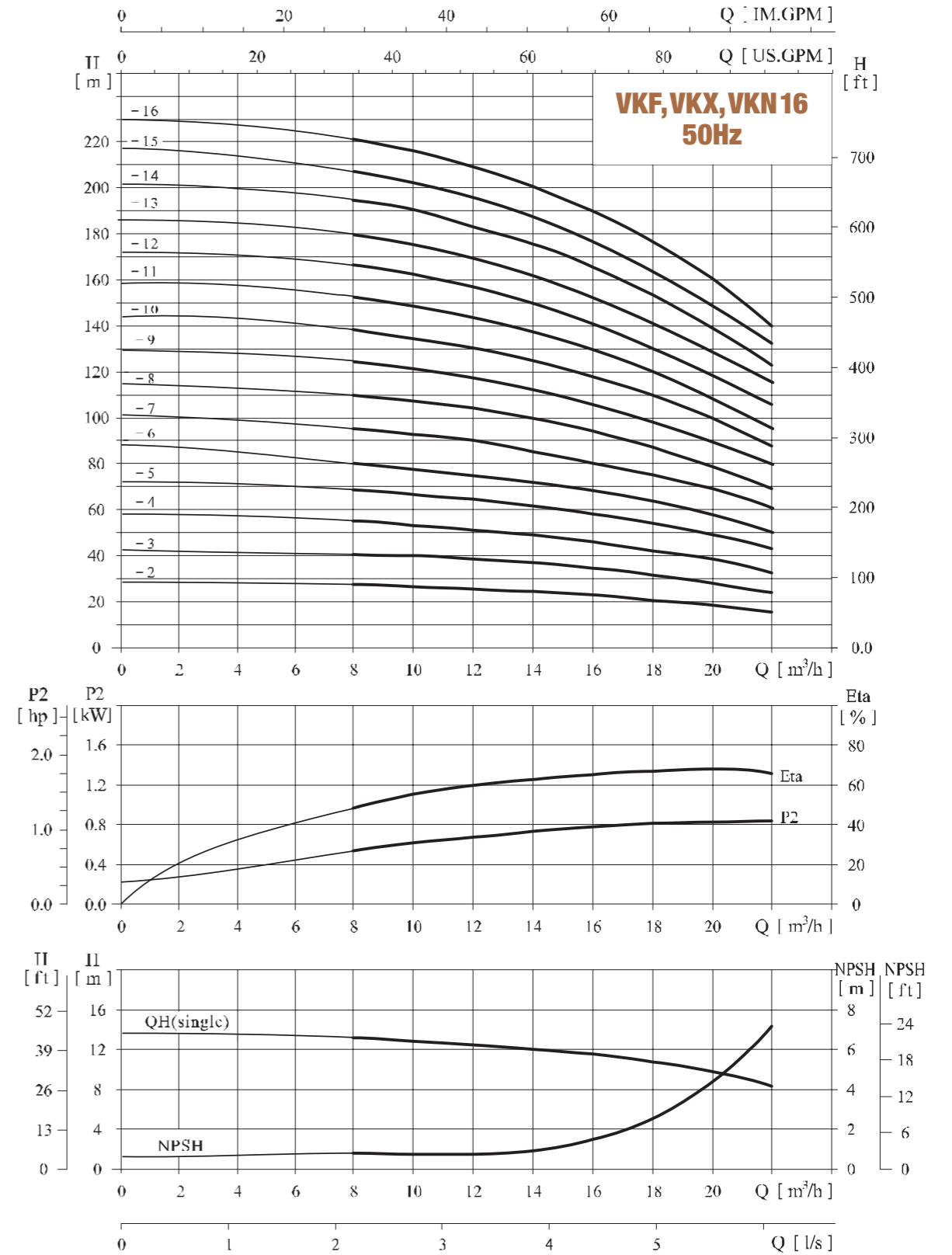
Size and weight

Model	Pump and motor dimensions					Weight (kg)
	A	B	C	D	D1	
VKF, VKX, VKN-16-20/2	599	180	419	155	190	37
VKF, VKX, VKN-16-30/3	709	225	484	165	197	47
VKF, VKX, VKN-16-40/4	764	270	494	185	230	52
VKF, VKX, VKN-16-50/5	864	315	549	210	260	67
VKF, VKX, VKN-16-60/6	909	360	549	210	260	72
VKF, VKX, VKN-16-70/7	954	405	549	210	260	77
VKF, VKX, VKN-16-80/8	999	450	549	210	260	78
VKF, VKX, VKN-16-100/10	1240	540	700	255	330	135
VKF, VKX, VKN-16-120/12	1330	630	700	255	330	140
VKF, VKX, VKN-16-140/14	1420	720	700	255	330	155
VKF, VKX, VKN-16-160/16	1510	810	700	255	330	162

Performance table

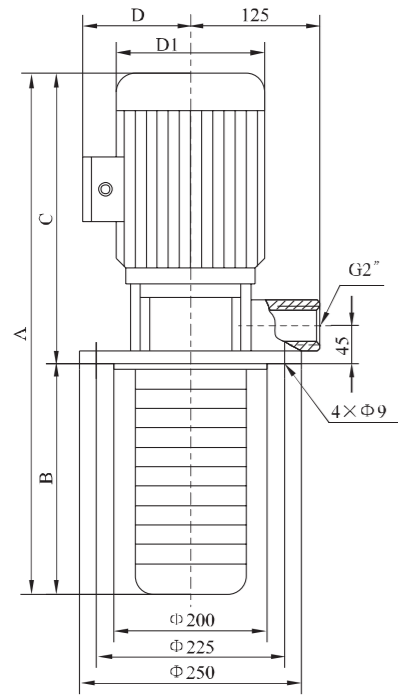
Model	Motor		Q (m³/h)	8	10	12	14	16	18	20	22
	(kW)	(hp)									
VKF, VKX, VKN-16-20/2	2.2	3	H (m)	27	26	25	24	22	21	19	16
VKF, VKX, VKN-16-30/3	3	4		41	40	38	37	34	32	29	25
VKF, VKX, VKN-16-40/4	4	5.5		54	53	52	49	46	43	38	34
VKF, VKX, VKN-16-50/5	5.5	7.5		68	67	65	62	58	54	48	43
VKF, VKX, VKN-16-60/6	5.5	7.5		82	80	78	74	70	64	58	52
VKF, VKX, VKN-16-70/7	7.5	10		96	95	91	87	82	76	68	61
VKF, VKX, VKN-16-80/8	7.5	10		110	108	104	99	94	86	77	70
VKF, VKX, VKN-16-100/10	11	15		138	136	131	125	118	109	97	87
VKF, VKX, VKN-16-120/12	11	15		166	162	157	150	141	130	116	105
VKF, VKX, VKN-16-140/14	15	20		194	190	184	175	166	152	136	122
VKF, VKX, VKN-16-160/16	15	20		222	217	210	200	189	174	156	140

Performance curve ISO9906:2012 Grade 3B



VKF, VKX, VKN 20

Installation sketch



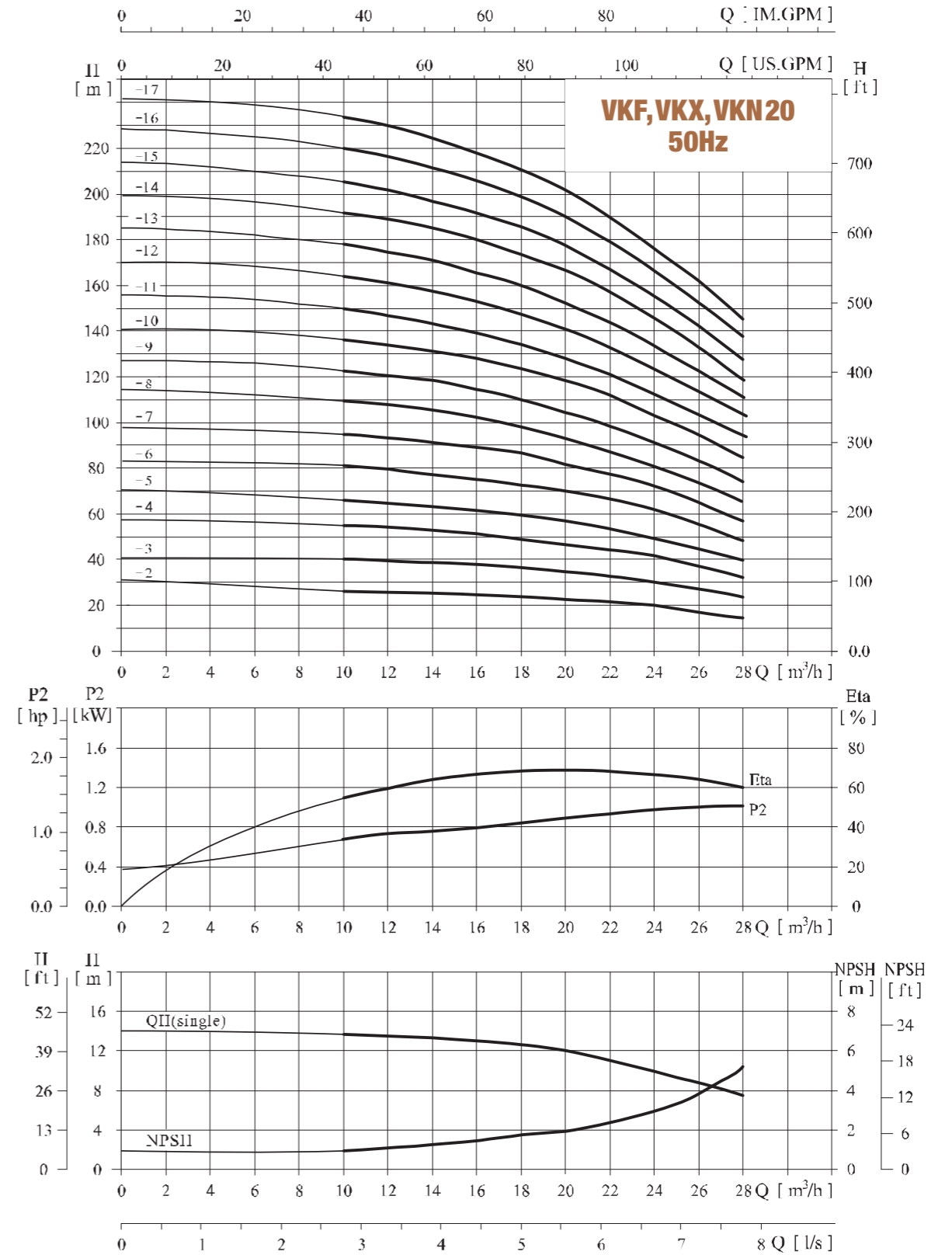
Size and weight

Model	Pump and motor dimensions					Weight (kg)
	A	B	C	D	D1	
VKF, VKX, VKN-20-20/2	599	180	419	155	190	37
VKF, VKX, VKN-20-30/3	719	225	494	185	230	50
VKF, VKX, VKN-20-40/4	819	270	549	210	260	65
VKF, VKX, VKN-20-50/5	864	315	549	210	260	67
VKF, VKX, VKN-20-60/6	909	360	549	210	260	75
VKF, VKX, VKN-20-70/7	954	405	549	210	260	77
VKF, VKX, VKN-20-80/8	1150	450	700	255	330	131
VKF, VKX, VKN-20-100/10	1240	540	700	255	330	135
VKF, VKX, VKN-20-120/12	1330	630	700	255	330	151
VKF, VKX, VKN-20-140/14	1420	720	700	255	330	155
VKF, VKX, VKN-20-170/17	1605	855	750	255	330	181

Performance table

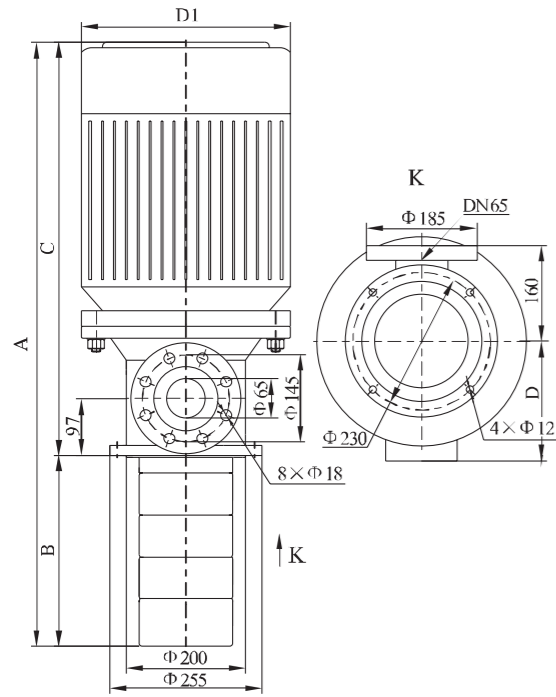
Model	Motor		Q (m³/h)	H (m)											
	(kW)	(hp)		10	12	14	16	18	20	22	24	26	28		
VKF, VKX, VKN-20-20/2	2.2	3		27	26.5	26	25	24	23	22	20	18	15		
VKF, VKX, VKN-20-30/3	4	5.5		40	39.5	39	38	37	35	33	30	27	24		
VKF, VKX, VKN-20-40/4	5.5	7.5		54	53	52	51	49	47	44	41	37	33		
VKF, VKX, VKN-20-50/5	5.5	7.5		67	66	64	62	60	58	55	50	45	40		
VKF, VKX, VKN-20-60/6	7.5	10		81	79	77	75	73	70	66	61	55	49		
VKF, VKX, VKN-20-70/7	7.5	10		95	93	91	89	86	82	77	71	65	58		
VKF, VKX, VKN-20-80/8	11	15		109	107	105	102	99	94	89	82	75	67		
VKF, VKX, VKN-20-100/10	11	15		136	134	131	128	124	118	111	103	95	85		
VKF, VKX, VKN-20-120/12	15	20		164	162	158	154	149	142	133	124	114	102		
VKF, VKX, VKN-20-140/14	15	20		192	189	185	180	174	166	156	145	133	119		
VKF, VKX, VKN-20-170/17	18.5	25		234	230	225	219	212	202	190	177	162	145		

Performance curve ISO9906:2012 Grade 3B



VKF, VKX, VKN32

Installation sketch



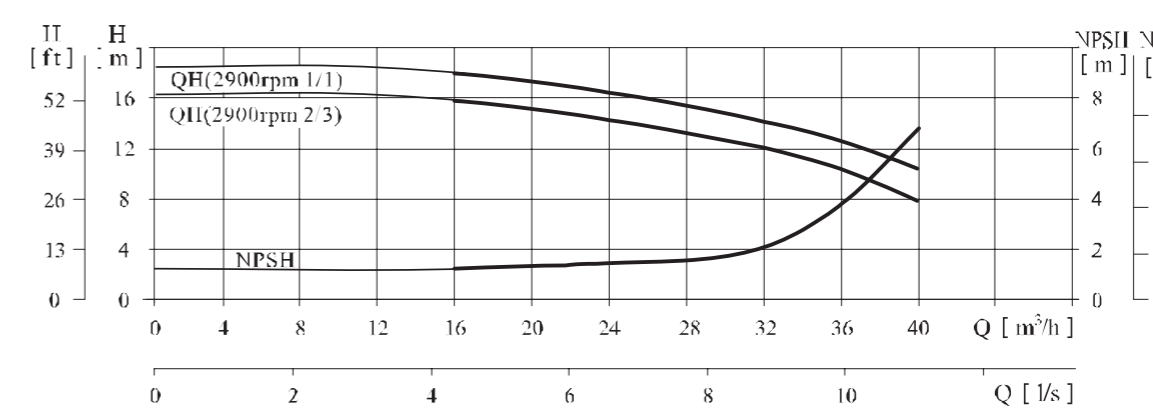
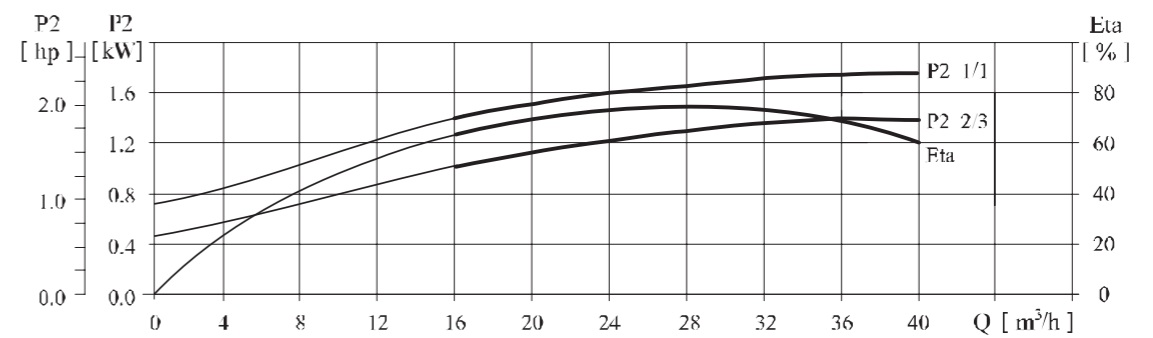
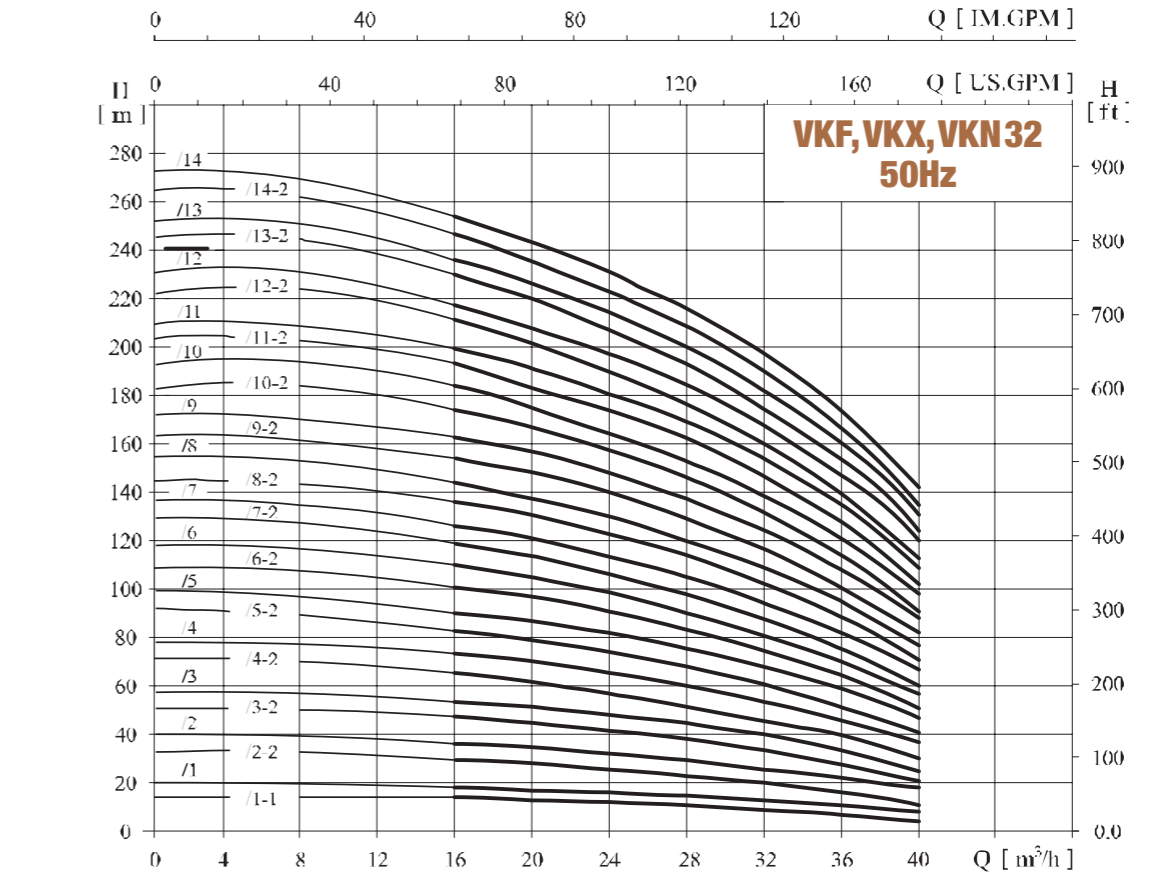
Size and weight

Model	Pump and motor dimensions					Weight (kg)
	A	B	C	D	D1	
VKF, VKX, VKN-32-10/1-1 VKF, VKX, VKN-32-10/1	621	186	435	155	190	49/51
VKF, VKX, VKN-32-20/2-2 VKF, VKX, VKN-32-20/2	746/ 756	256	490/ 500	165/ 185	197/ 230	57/62
VKF, VKX, VKN-32-30/3-2 VKF, VKX, VKN-32-30/3	881	326	555	210	260	70
VKF, VKX, VKN-32-40/4-2 VKF, VKX, VKN-32-40/4	951	396	555	210	260	77
VKF, VKX, VKN-32-50/5-2 VKF, VKX, VKN-32-50/5	1184	466	718	255	330	148
VKF, VKX, VKN-32-60/6-2 VKF, VKX, VKN-32-60/6	1254	536	718	255	330	150
VKF, VKX, VKN-32-70/7-2 VKF, VKX, VKN-32-70/7	1324	606	718	255	330	162
VKF, VKX, VKN-32-80/8-2 VKF, VKX, VKN-32-80/8	1394	676	718	255	330	165
VKF, VKX, VKN-32-90/9-2 VKF, VKX, VKN-32-90/9	1514	746	768	255	330	191
VKF, VKX, VKN-32-100/10-2 VKF, VKX, VKN-32-100/10	1584	816	768	255	330	194
VKF, VKX, VKN-32-110/11-2 VKF, VKX, VKN-32-110/11	1679	886	793	285	360	230
VKF, VKX, VKN-32-120/12-2 VKF, VKX, VKN-32-120/12	1749	956	793	285	360	234
VKF, VKX, VKN-32-130/13-2 VKF, VKX, VKN-32-130/13	1894	1026	868	310	400	297
VKF, VKX, VKN-32-140/14-2 VKF, VKX, VKN-32-140/14	1964	1096	868	310	400	300

Performance table

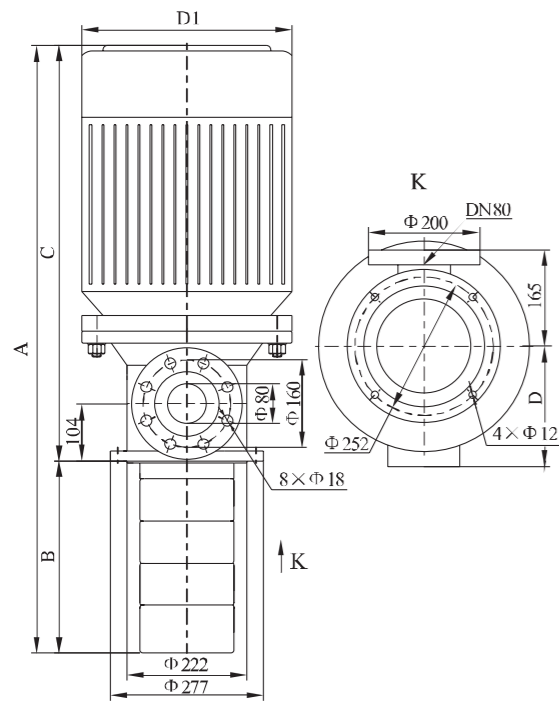
Model	Motor		Q (m³/h)	H (m)							
	(kW)	(hp)		16	20	24	28	32	36	40	
VKF, VKX, VKN-32-10/1-1	1.5	2	14	13	12	11	9	7	4		
VKF, VKX, VKN-32-10/1	2.2	3	18	17	15	14	13	11	8		
VKF, VKX, VKN-32-20/2-2	3	4	29	28	26	23	20	16	11		
VKF, VKX, VKN-32-20/2	4	5.5	36	34	32	29	27	23	18		
VKF, VKX, VKN-32-30/3-2	5.5	7.5	47	44	41	38	33	28	21		
VKF, VKX, VKN-32-30/3	5.5	7.5	54	51	48	44	40	35	27		
VKF, VKX, VKN-32-40/4-2	7.5	10	65	62	58	53	46	40	30		
VKF, VKX, VKN-32-40/4	7.5	10	72	69	65	59	53	47	37		
VKF, VKX, VKN-32-50/5-2	11	15	83	79	74	68	60	52	41		
VKF, VKX, VKN-32-50/5	11	15	90	86	81	74	67	59	47		
VKF, VKX, VKN-32-60/6-2	11	15	101	97	90	83	74	65	51		
VKF, VKX, VKN-32-60/6	11	15	108	104	97	90	81	72	57		
VKF, VKX, VKN-32-70/7-2	15	20	119	114	107	98	88	78	60		
VKF, VKX, VKN-32-70/7	15	20	126	121	113	105	95	85	67		
VKF, VKX, VKN-32-80/8-2	15	20	136	131	123	114	102	90	71		
VKF, VKX, VKN-32-80/8	15	20	144	138	130	120	109	97	77		
VKF, VKX, VKN-32-90/9-2	18.5	25	154	148	140	129	117	102	82		
VKF, VKX, VKN-32-90/9	18.5	25	162	156	147	136	124	109	88		
VKF, VKX, VKN-32-100/10-2	18.5	25	175	166	157	146	131	115	91		
VKF, VKX, VKN-32-100/10	18.5	25	182	173	164	152	138	122	98		
VKF, VKX, VKN-32-110/11-2	22	30	193	184	173	164	146	128	102		
VKF, VKX, VKN-32-110/11	22	30	200	191	180	168	153	135	109		
VKF, VKX, VKN-32-120/12-2	22	30	211	201	189	178	160	140	113		
VKF, VKX, VKN-32-120/12	22	30	218	208	196	184	167	147	120		
VKF, VKX, VKN-32-130/13-2	30	40	230	218	206	193	174	153	124		
VKF, VKX, VKN-32-130/13	30	40	237	225	213	200	181	160	131		
VKF, VKX, VKN-32-140/14-2	30	40	247	235	222	210	189	165	135		
VKF, VKX, VKN-32-140/14	30	40	255	242	229	216	196	172	142		

Performance curve ISO9906:2012 Grade 3B



VKF, VKX, VKN42

Installation sketch



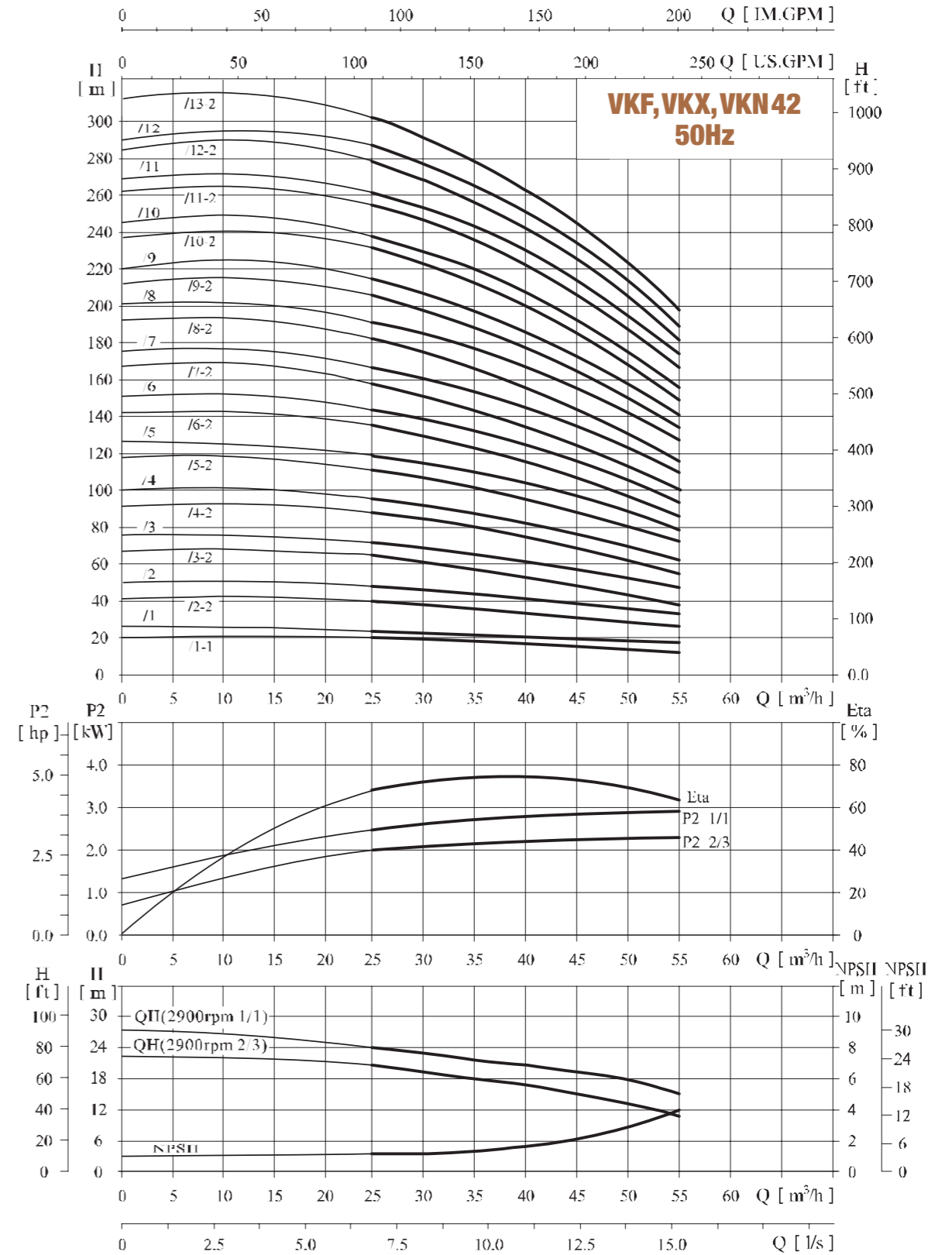
Size and weight

Model	Pump and motor dimensions					Weight (kg)
	A	B	C	D	D1	
VKF, VKX, VKN-42-10/1-1 VKF, VKX, VKN-42-10/1	702/ 712	198	504/ 514	165/ 185	197/ 230	60/65
VKF, VKX, VKN-42-20/2-2 VKF, VKX, VKN-42-20/2	847	278	569	210	260	77/84
VKF, VKX, VKN-42-30/3-2 VKF, VKX, VKN-42-30/3	1090	358	732	255	330	150
VKF, VKX, VKN-42-40/4-2 VKF, VKX, VKN-42-40/4	1170	438	732	255	330	162
VKF, VKX, VKN-42-50/5-2 VKF, VKX, VKN-42-50/5	1300	518	782	255	330	182
VKF, VKX, VKN-42-60/6-2 VKF, VKX, VKN-42-60/6	1405	598	807	285	360	225
VKF, VKX, VKN-42-70/7-2 VKF, VKX, VKN-42-70/7	1560	678	882	310	400	288
VKF, VKX, VKN-42-80/8-2 VKF, VKX, VKN-42-80/8	1640	758	882	310	400	292
VKF, VKX, VKN-42-90/9-2 VKF, VKX, VKN-42-90/9	1720	838	882	310	400	296/315
VKF, VKX, VKN-42-100/10-2 VKF, VKX, VKN-42-100/10	1800	918	882	400	400	320
VKF, VKX, VKN-42-110/11-2 VKF, VKX, VKN-42-110/11	1915	998	917	345	450	385
VKF, VKX, VKN-42-120/12-2 VKF, VKX, VKN-42-120/12	1995	1078	917	345	450	390
VKF, VKX, VKN-42-130/13-2	2075	1158	917	345	450	394

Performance table

Model	Motor		Q (m³/h)	H (m)										
	(kW)	(hp)		25	30	35	40	42	45	50	55			
VKF, VKX, VKN-42-10/1-1	3	4	20	19	18	17	16	15	13	11				
VKF, VKX, VKN-42-10/1	4	5.5	24	23	22	21	20	19	18	16				
VKF, VKX, VKN-42-20/2-2	5.5	7.5	40	38	36	33	32	30	27	23				
VKF, VKX, VKN-42-20/2	7.5	10	48	46	44	42	41	39	35	31				
VKF, VKX, VKN-42-30/3-2	11	15	63	61	58	54	52	50	44	38				
VKF, VKX, VKN-42-30/3	11	15	71	69	66	63	61	58	53	47				
VKF, VKX, VKN-42-40/4-2	15	20	87	84	80	75	73	69	62	54				
VKF, VKX, VKN-42-40/4	15	20	95	92	88	84	81	78	71	62				
VKF, VKX, VKN-42-50/5-2	18.5	25	111	107	102	96	93	88	80	69				
VKF, VKX, VKN-42-50/5	18.5	25	119	115	110	105	101	97	88	78				
VKF, VKX, VKN-42-60/6-2	22	30	135	130	124	117	113	108	97	85				
VKF, VKX, VKN-42-60/6	22	30	143	138	132	125	122	116	106	93				
VKF, VKX, VKN-42-70/7-2	30	40	158	152	146	138	134	127	115	100				
VKF, VKX, VKN-42-70/7	30	40	166	161	154	146	142	135	124	109				
VKF, VKX, VKN-42-80/8-2	30	40	182	175	168	159	154	146	133	116				
VKF, VKX, VKN-42-80/8	30	40	190	184	176	167	162	154	141	124				
VKF, VKX, VKN-42-90/9-2	30	40	205	198	190	180	171	166	150	132				
VKF, VKX, VKN-42-90/9	37	50	214	207	198	188	183	174	159	140				
VKF, VKX, VKN-42-100/10-2	37	50	230	221	212	200	194	185	168	147				
VKF, VKX, VKN-42-100/10	37	50	238	230	220	209	203	193	177	155				
VKF, VKX, VKN-42-110/11-2	45	60	255	246	236	223	217	206	188	165				
VKF, VKX, VKN-42-110/11	45	60	263	255	244	232	225	214	196	173				
VKF, VKX, VKN-42-120/12-2	45	60	280	270	259	245	238	226	206	181				
VKF, VKX, VKN-42-120/12	45	60	289	280	268	255	247	236	216	190				
VKF, VKX, VKN-42-130/13-2	45	60	305	294	282	267	259	247	225	198				

Performance curve ISO9906:2012 Grade 3B



hydroo®

Be pumping partners

HYDROO
Pump Industries SL

Carrer La Banyeta Nova, 11
Polígon Industrial La Banyeta
17843 Palol de Revardit
Catalonia. Spain
Tel. +34 972 394 654
E-mail: info@hydroo.com
www.hydroo.com

201830-CTL-VKDROO-EN
subject to amendments

